

REV		REVISIONS			
NC	DTM04-08P*	SYM	DESCRIPTION	DATE	APPROVED
NC			NEW RELEASE PER E.O. P17232	4-19-01	RDR

7. SEE SHEET 2 FOR OTHER KEY ARRANGEMENTS.
6. MATERIAL - HOUSING: PLASTIC; GROMMET: RUBBER.
5. THIS RECEPTACLE MATES WITH DTM06-08S\*-\*\*\*\* PLUG.  
(\* = A,B,C,D KEYS; \*\*\*\* = ALL MODIFICATIONS)
4. FOR CONTACT AND WIRE PERFORMANCE AND APPLICATION CHARACTERISTICS SEE ENVELOPE DRAWING 0425-015-0000.
3. SECONDARY WEDGE LOCK SOLD SEPARATELY: WM-8P.
2. DIMENSION TOLERANCE:  $\pm .025$  [.64].
1. DIMENSIONS ARE IN INCHES [mm].

NOTES: UNLESS OTHERWISE SPECIFIED

CONTACT SIZE	MIN. INSUL. O.D.	MAX. INSUL. O.D.	WIRE RANGE [mm <sup>2</sup> ] REF ONLY
20	.053 [1.35]	.120 [3.05]	16-22 AWG [1.0-0.5]

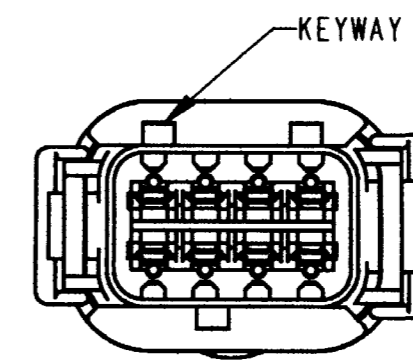
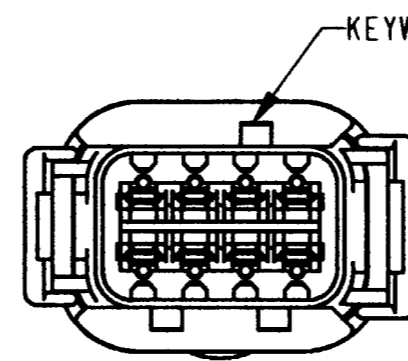
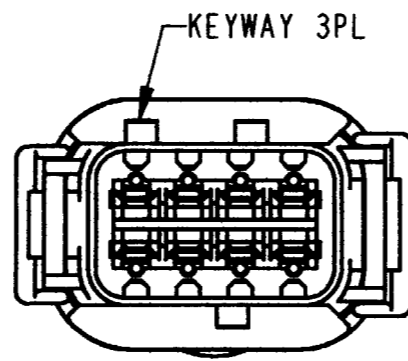
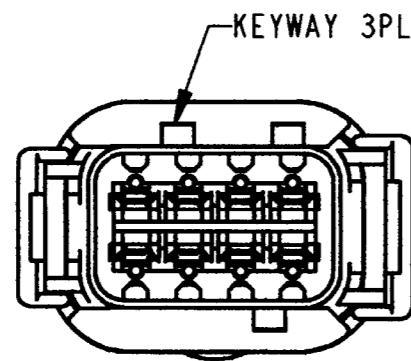
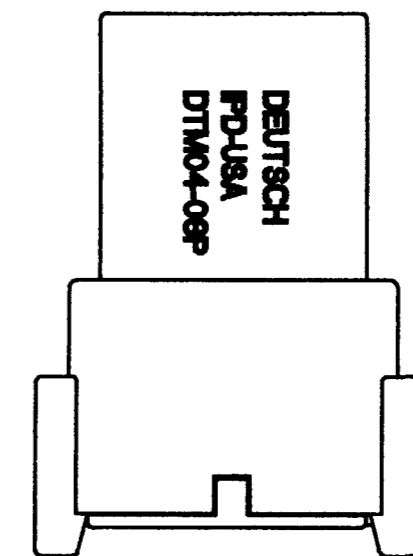
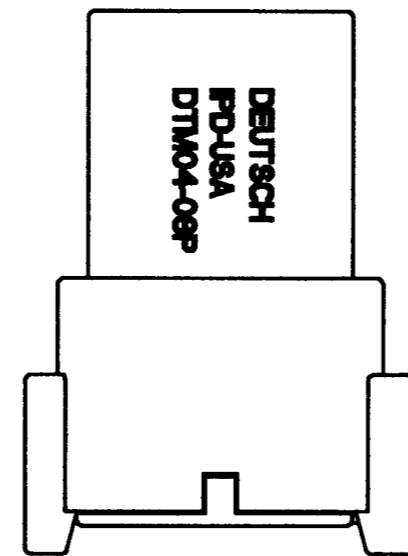
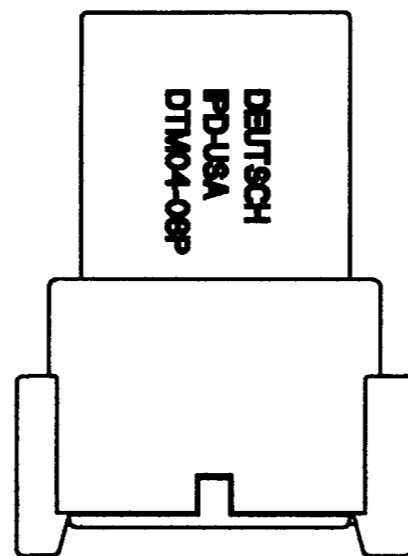
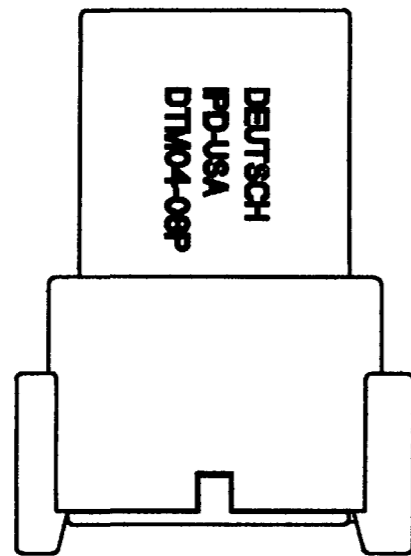
SIGNATURE & DATE	
DR	J. APOSTOL 16 APR 2001
CHK	<i>[Signature]</i> 4/18/01
PE	<i>[Signature]</i> 4/18/01
APPD	<i>[Signature]</i> 4-19-01
SCALE	NONE WT

RECEPTACLE  
8 CONTACTS, SIZE 20  
A,B,C,D KEYS  
DTM SERIES

ENVELOPE

CP		MATL. CODE
The Deutsch Company		
DEUTSCH I.P.D. 3850 INDUSTRIAL AVE. HEMET, CALIF. 92545		
<b>B</b>	DTM04-08P*	
DWG SIZE	CODE 11139	SHEET 1 OF 2

REV NC	DTM04-08P*	REVISIONS		
SYM	DESCRIPTION	DATE	APPROVED	
	SEE SHEET ONE	4-19-01	RBA	



DTM04-08PA  
KEY -A-  
COLOR: GREY

DTM04-08PB  
KEY -B-  
COLOR: BLACK

DTM04-08PC  
KEY -C-  
COLOR: GREEN

DTM04-08PD  
KEY -D-  
COLOR: BROWN

NOTES:

SIGNATURE & DATE	
DR	J. APOSTOL 16APR2001
CHK	Rmlyg 4/18/01
PE	Dmeyer 4/16/01
APPD	R. Reed 4-19-01
SCALE	NONE WT

RECEPTACLE  
8 CONTACTS, SIZE 20  
A, B, C, D KEYS  
DTM SERIES

ENVELOPE

CP	MATL. CODE
<b>The Deusch Company</b> DEUTSCH I.P.D. 3850 INDUSTRIAL AVE. HEMET, CALIF. 92545	
<b>B</b>	<b>DTM04-08P*</b>
DWG SIZE	CODE SHEET 2 OF 2